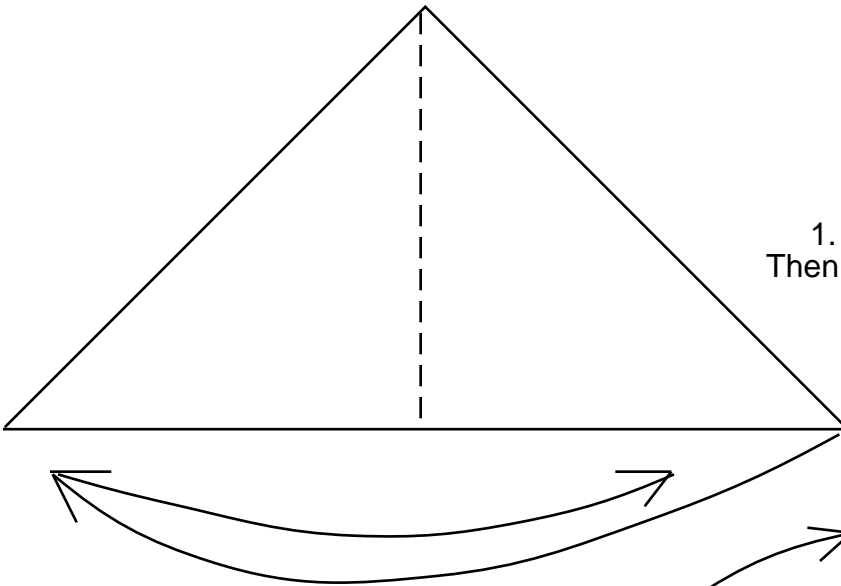


Dragon in the Water

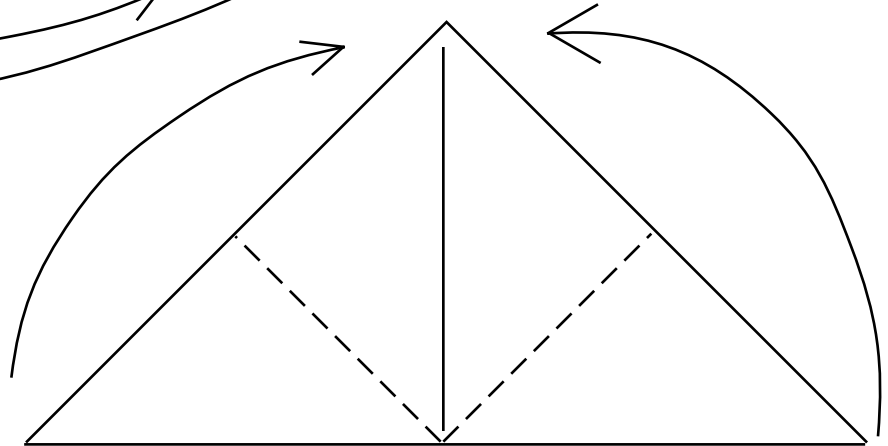
By Perry Bailey 1997

Inspired by the work of Yoshihisa Kimura, who reminded me that there is more than 1 way to cut a square in half.

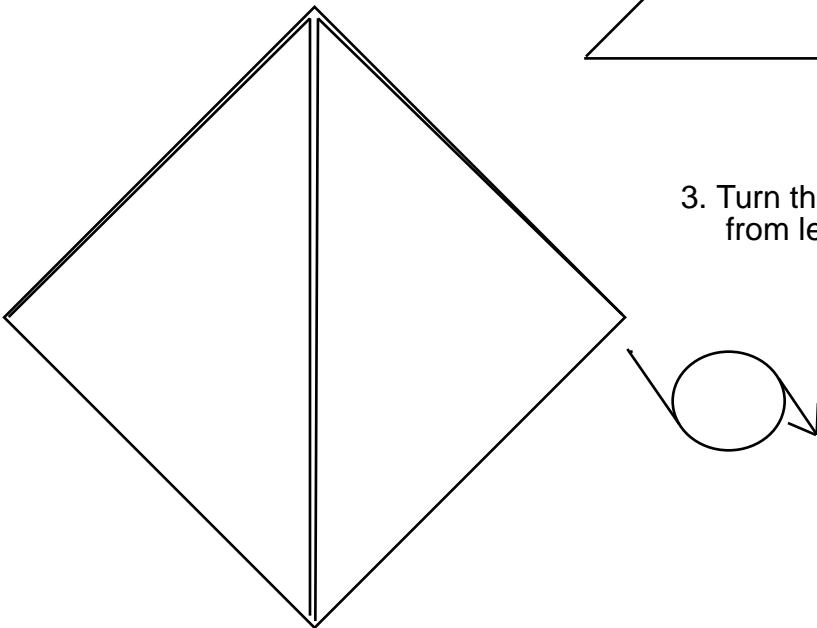
1. Cut a Square in half Diagonally. Then fold it in half and unfold as shown.



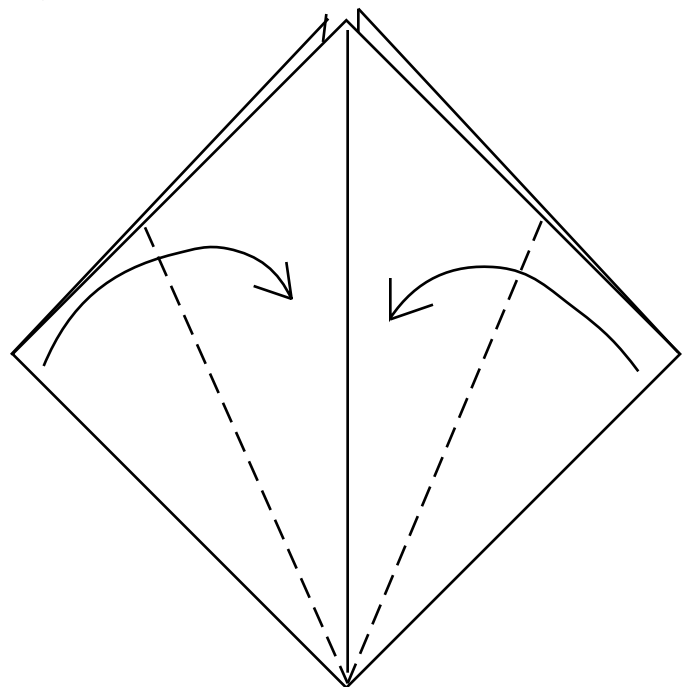
2. Valley fold up the flaps on each side of the model.



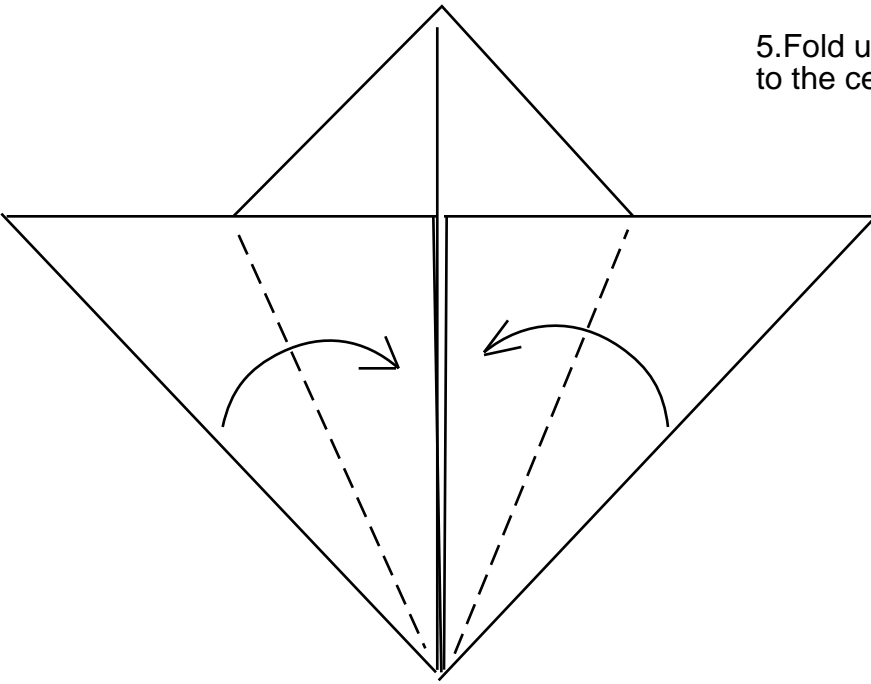
3. Turn the model over from left to right.



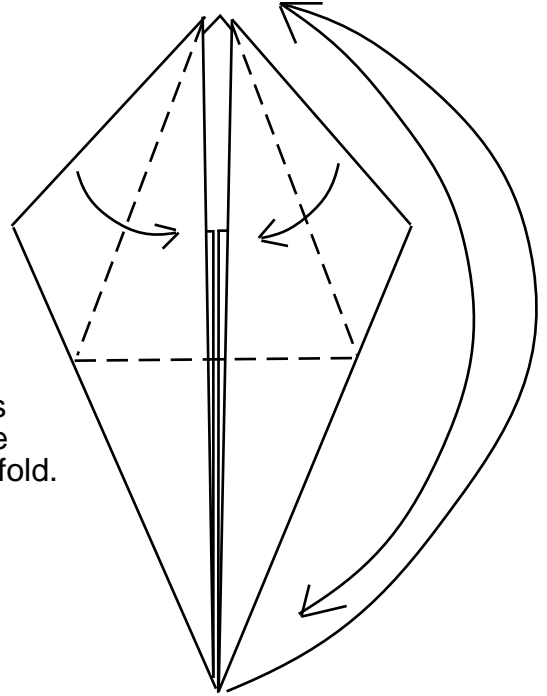
4. Fold both side in to the center, folding only the top layer on each side.



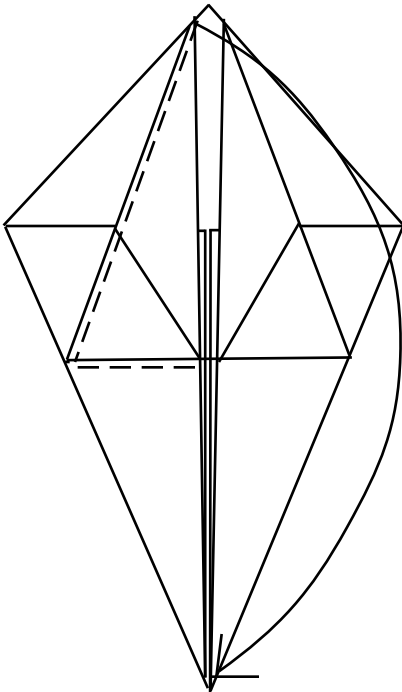
5. Fold up the side edges to the center



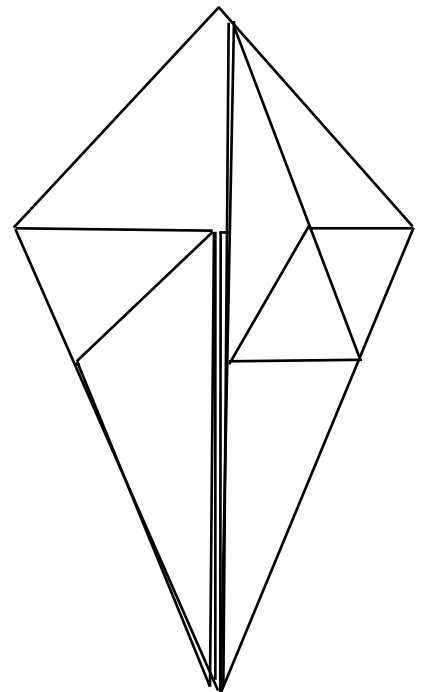
6. fold edges in on both sides then valley fold up the entire bottom of the model and unfold.

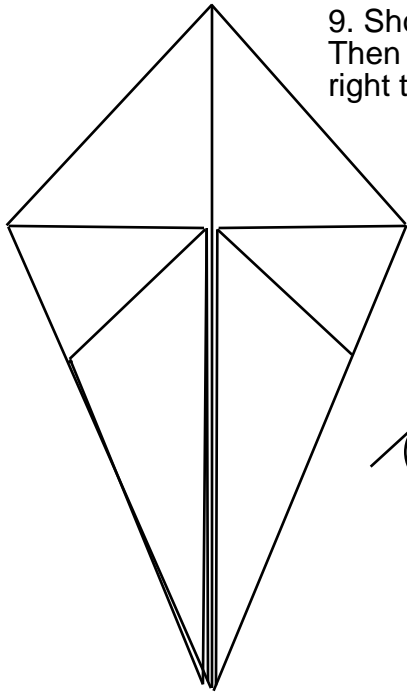


7. This is just making a simple rabbits ear fold downwards.

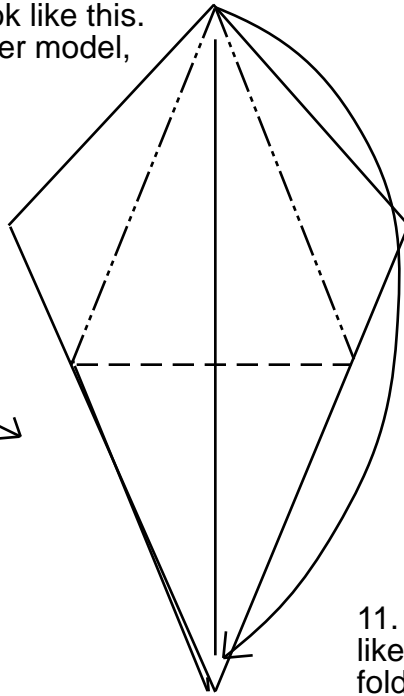


8. Repeat on other side.

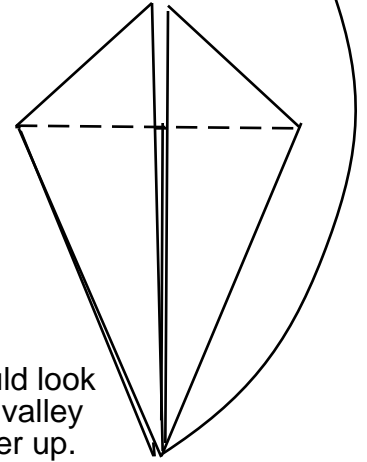




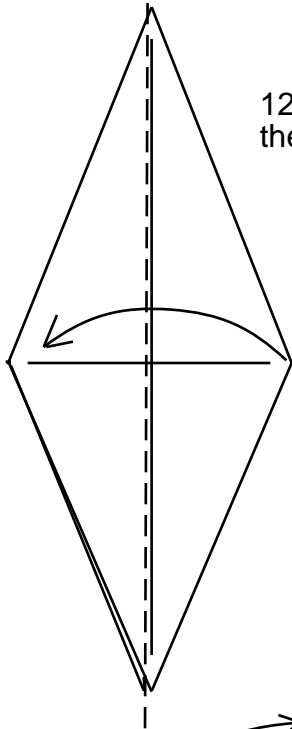
9. Should look like this. Then turn over model, right to left.



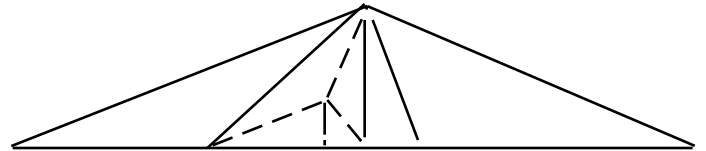
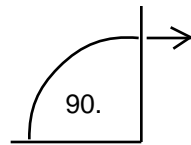
10. fold the top half down as in the bird base.



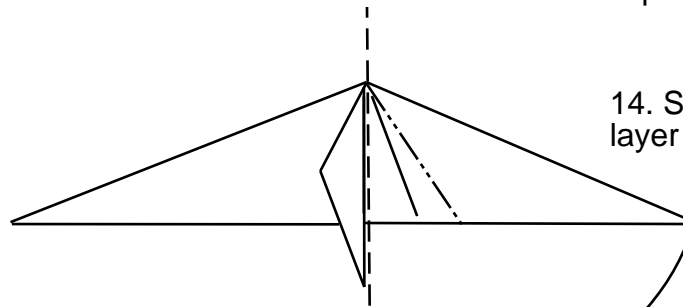
11. Model should look like this. Then valley fold the top layer up.



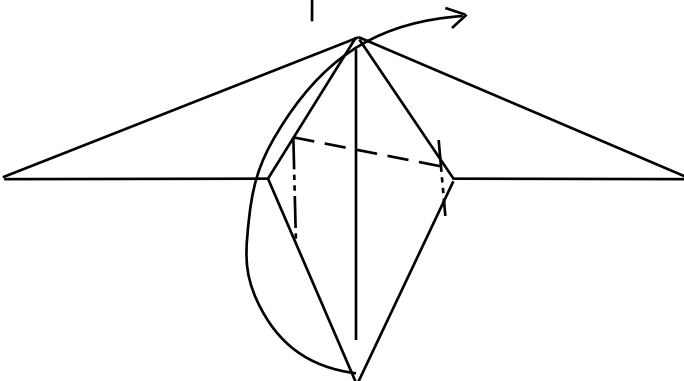
12. Fold entire model in half, then rotate to right.



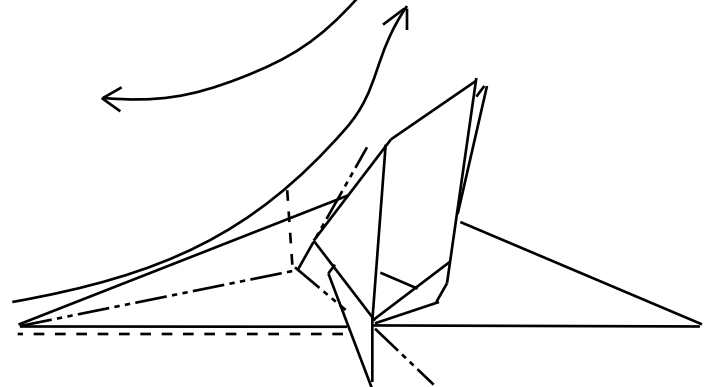
13. make a rabbit ear fold from the small flap on each side.



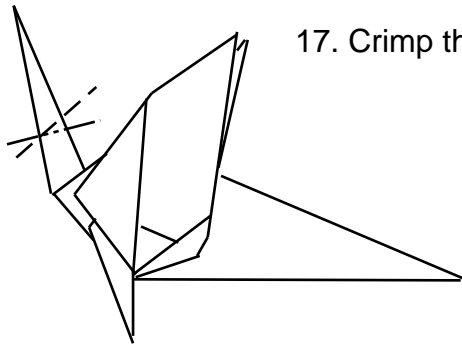
14. Squash fold the outside layer on each side.



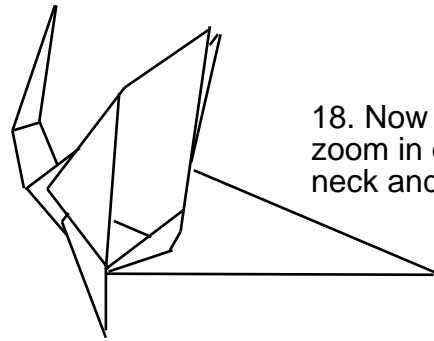
15. Fold the wings up as shown on both sides.



16. To form the neck you actually sort of squash the flap down on both sides then fold it up. This takes care of any thinning needed for the neck.



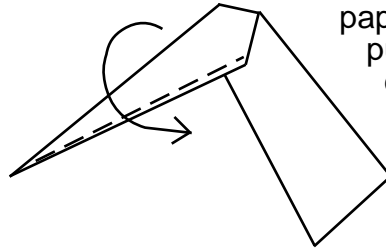
17. Crimp the Neck back.



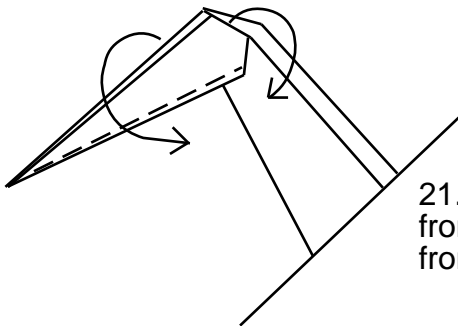
18. Now we will zoom in on the neck and Head.



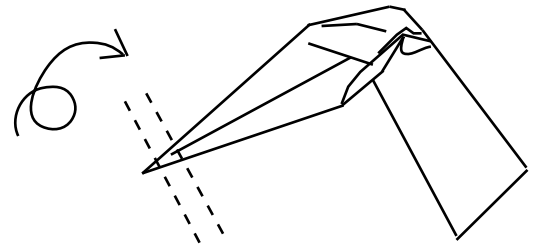
19. First crimp down to form the head.



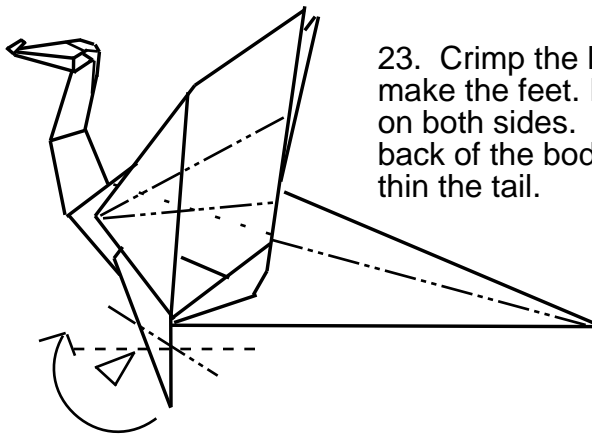
20. Now there is a double layer at the top of the head reach in and bring out the doubled layer on each side of the head, one side at a time. Be careful not to tear the paper at the back of the head, as you pull out the layers and bring them down. The head will not lie flat.



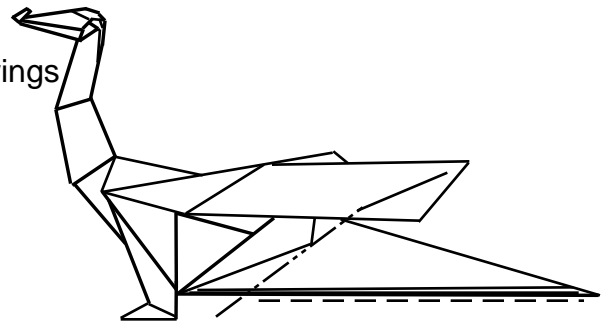
21. Part of the head comes from layers brought out from behind the neck.



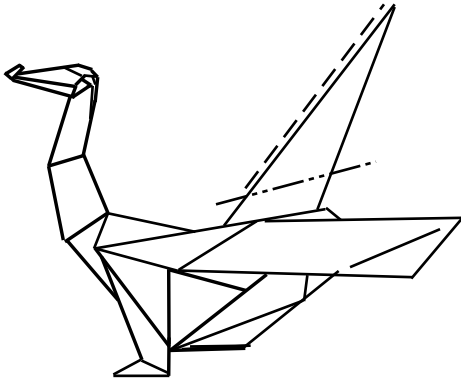
22. The effect should be something like this, then valley fold the tip of the nose over twice to finish the head.



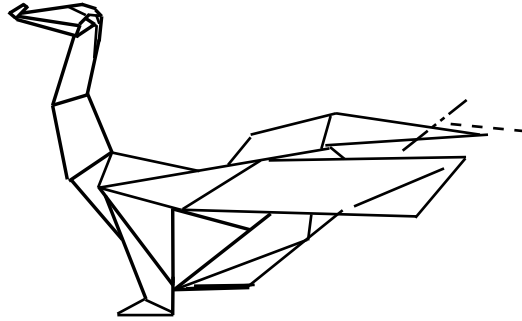
23. Crimp the legs in to make the feet. Pleat fold the wings on both sides. Fold the entire back of the body inwards to thin the tail.



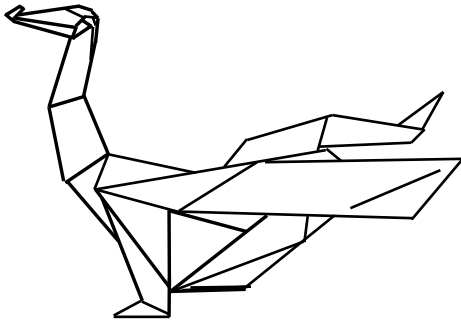
24. Reverse fold the tail up.



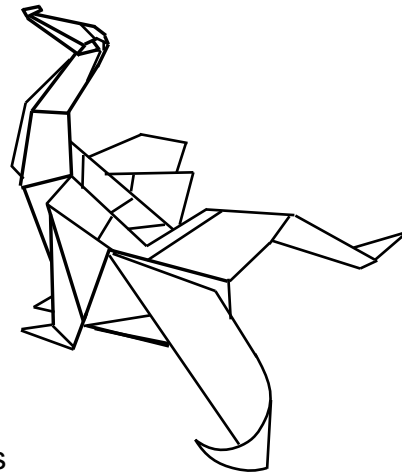
25. Reverse fold the tail down.



26. reverse fold the tip of the tail up.



27. Now spread the wings outwards with a curl at the outer tips and it is finished.



28. The theory being that the dragon is either taking off or landing in the water. Please believe me it looks better than my drawing. Thankyou